

INSTRUCTION MANUAL STO-TW-CT01



Key features

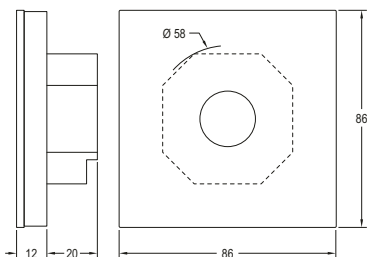
- To control 1 zone
- 4 customised settings
- Wall-mounted sensitive glass touch panel
- PWM signal

Technical characteristics

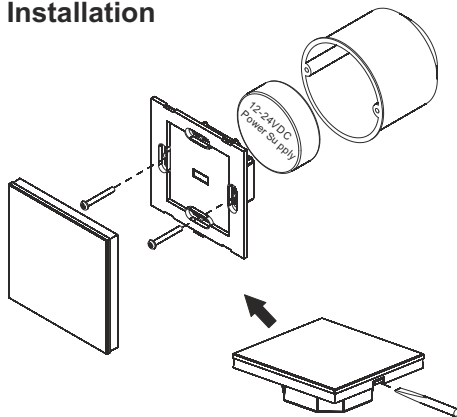
Remote control

Ref.	Operating voltage	Output	Dimensions	Observations
9955915	12 - 24 VDC	4 x 5 A	86 x 86 x 32 mm.	Touch sensor

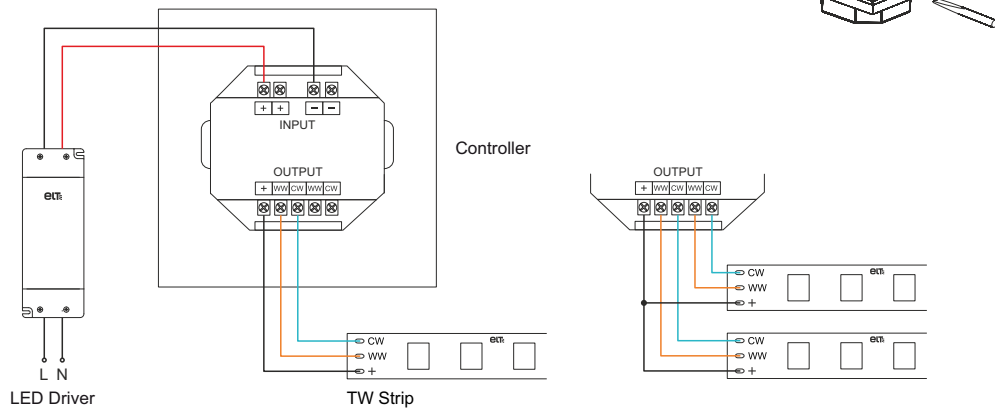
Dimensions



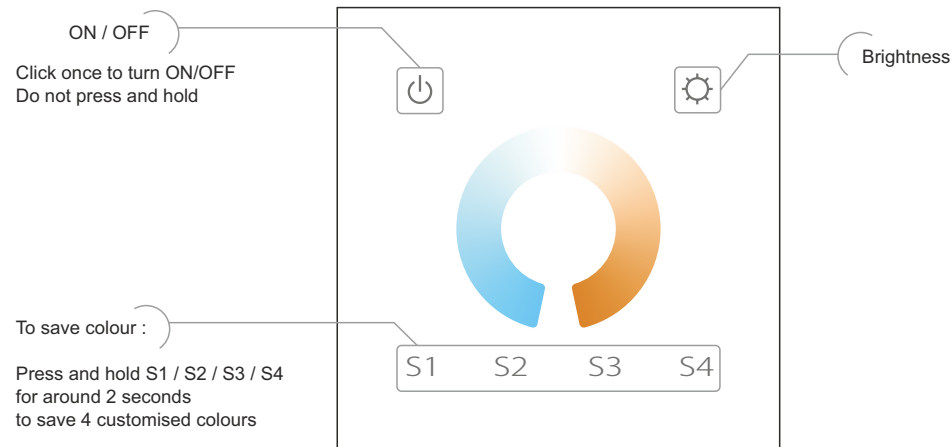
Installation



Wiring diagram



Function overview



Safety warnings

- 1) This product must be installed and serviced by qualified personnel.
- 2) IP20. Protect from sun and rain. For outdoor installations, make sure it is housed inside a waterproof enclosure.
- 3) Always ensure the device is installed in a properly ventilated area to avoid overheating.
- 4) Make sure that the output voltage of any LED power supply used complies with the working voltage of the product.
- 5) Never connect any cables while the power is on. To avoid short circuits, check the connections are correct before switching on.
- 6) Check that cables are securely attached to the terminal blocks.
- 7) Please contact your supplier for updated information.