

INSTRUCTION MANUAL STO-RGB-W-CT01



Key features

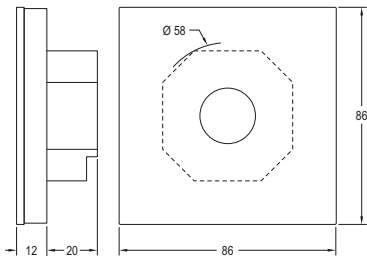
- To control 1 zone
- 4 customised scenes
- Wall-mounted sensitive glass touch panel
- PWM signal

Technical characteristics

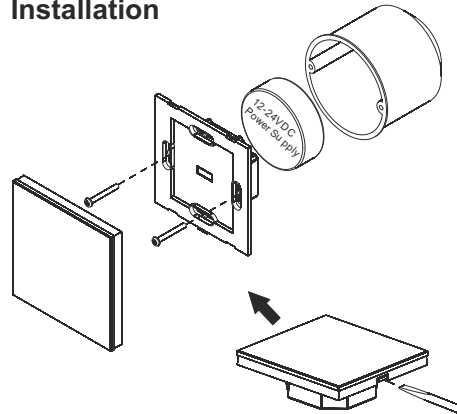
Remote control

Ref.	Operating voltage	Output	Dimensions	Observations
9955916	12 - 24 VDC	4 x 5 A	86 x 86 x 32 mm.	Touch sensor

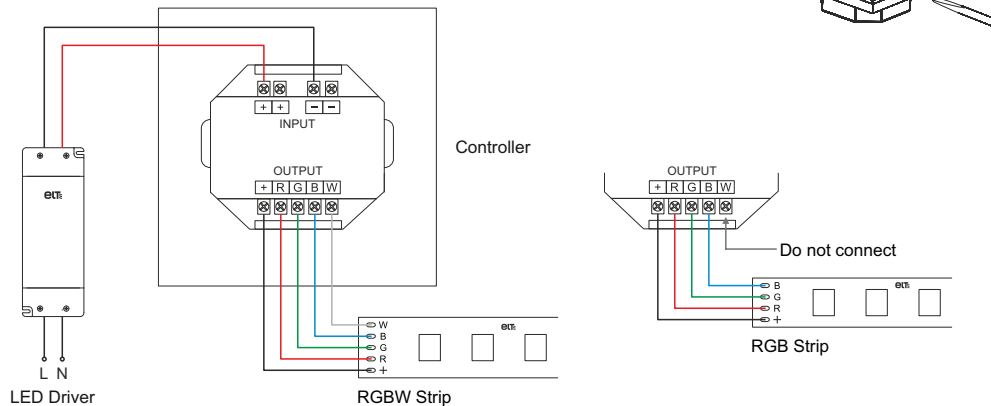
Dimensions



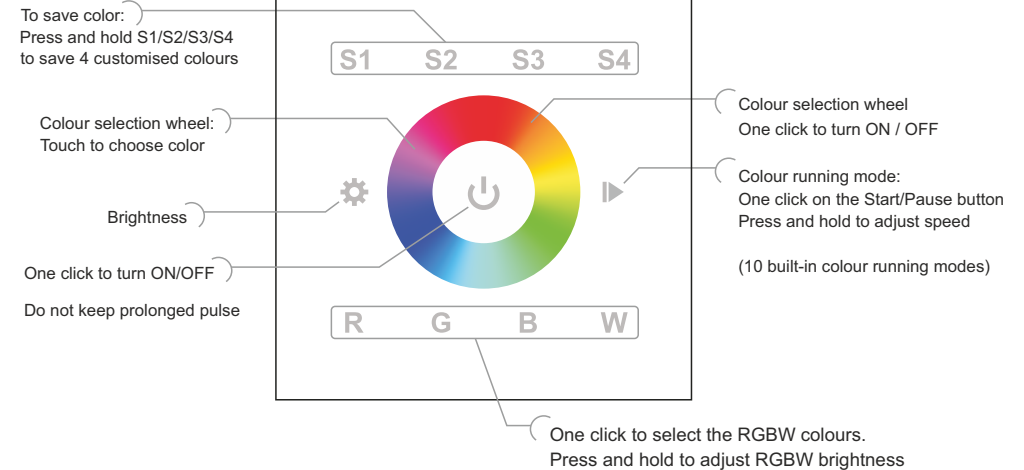
Installation



Wiring diagram



Function overview



Operation

1. Connect the device according to the wiring diagram.

2. Select and save a colour

Touch the colour selection wheel and click to select the required colour. Colour running mode: click on the Start/Pause button to activate the colour running mode, then press and hold to adjust the speed.

To save the selected colour, press and hold S1, S2, S3 or S4 for around 3 seconds. When the LED flashes, the customised colour has been successfully saved.

3. Adjust and save brightness

Choose the colour by clicking on R, G, B or W, then press and hold to adjust its brightness. Alternatively, click on the brightness button until the desired level is achieved, then press and hold for around 3 seconds. When the LED flashes, the brightness has been successfully saved.

4. Recall setting from memory

To recall the colour from the memory, simply click on S1, S2, S3 or S4.

Safety warnings

- 1) This product must be installed and serviced by qualified personnel.
- 2) IP20. Protect from sun and rain. For outdoor installations, make sure it is housed inside a waterproof enclosure.
- 3) Always ensure the device is installed in a properly ventilated area to avoid overheating.
- 4) Make sure that the output voltage of any LED power supply used complies with the working voltage of the product.
- 5) Never connect any cables while the power is on. To avoid short circuits, check the connections are correct before switching on.
- 6) Check that cables are securely attached to the terminal blocks.
- 7) Please contact your supplier for updated information.