

**INSTRUCTION MANUAL
SPU-RGB-R01**



Key features

- Wireless RF Push Switch, easy to wall mount using screws or adhesive.
- Operating temperature : 0 - 40 °C
- Relative humidity : 8 - 80 %

Technical characteristics

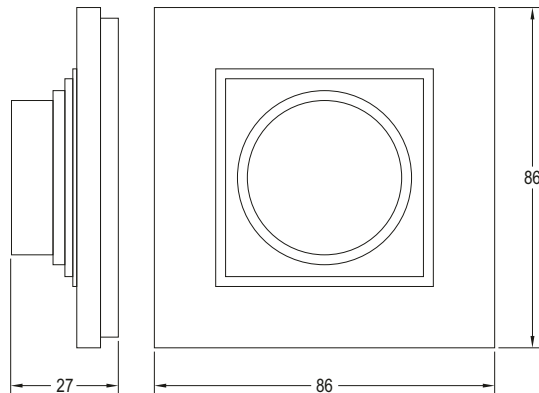
Remote control

Ref.	Operating Voltage	Operating Frequency	Observations
9955908 SPU-RGB-R01	3 VDC Cr2430 battery	868 MHz	RF Wireless

Correspond Receiver

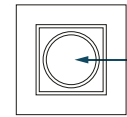
Ref.	Input Voltage	Output Current	Output Power	Observations
9955901 SPU-DIM-C01	12 - 36 VDC	1 x 8 A	1 x (96 - 288) W	Constant voltage
9955904 SPU-TW-C01	12 - 36 VDC	4 x 5 A	4 x (60 - 180) W	Constant voltage
9955902 SPU-RGB-C01	12 - 36 VDC	3 x 5 A	3 x (60 - 180) W	Constant voltage

Dimensions



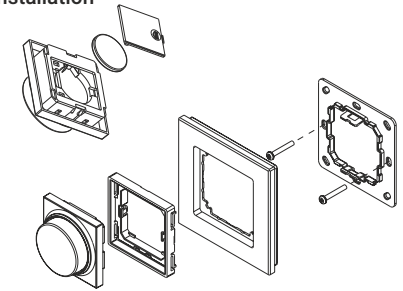
Functions and installation

1. Functions

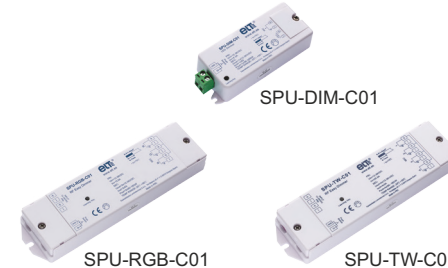


- One click : ON/OFF.
- Rotate : Dim / Colour change
- Double click : change between Dim and Colour temperature modes

2. Installation



3. Compatible controllers



4. Pairing the receiver

- SPU-DIM-C01 and SPU-TW-C01 / SPU-RGB-C01. One click on the Learning Key.
- Max. 3 seconds. One click on the Learning Key.
- LEDs flash → Pairing successful.
- To cancel pairing, simply hold the Learning Key on the receiver down for around 5 seconds.

Mounting

The key feature of this controller is its universal standard switch component that can be integrated into numerous surrounds from different manufacturers as follows:

BEKER	S1, B1, B3, B7 glass
GIRA	Standard55, E2, Event, Esprit
JUNG	A500, Aplus
MERTEN	M-smart, M-Arc, M-Plan

Safety warnings

- 1) This product must be installed and serviced by qualified personnel.
- 2) IP20. Protect from sun and rain. For outdoor installations, make sure it is housed inside a waterproof enclosure.
- 3) Always ensure the device is installed in a properly ventilated area to avoid overheating.
- 4) Make sure that the output voltage of any LED power supply used complies with the working voltage of the product.
- 5) Never connect any cables while the power is on. To avoid short circuits, check the connections are correct before switching on.
- 6) Check that cables are securely attached to the terminal blocks.
- 7) Please contact your supplier for updated information.
- 8) This device contains a lithium battery that must be stored and disposed of properly.
- 9) DO NOT expose the device to humidity.