

INSTRUCTION MANUAL SPU-RGB-C01



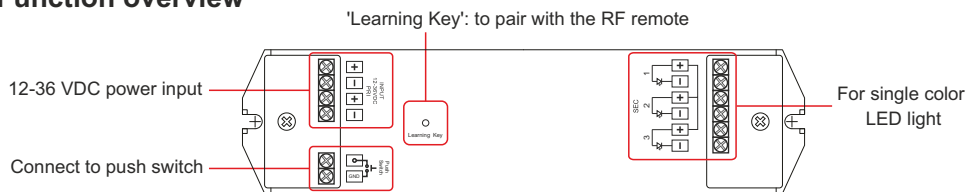
Key features

- Compatible with different remote controls.
- Push Dim function available when connected to a simple push switch.
- To dim and adjust CCT colour LED lighting.
- Radio frequency: 868 / 915 / 434 MHz

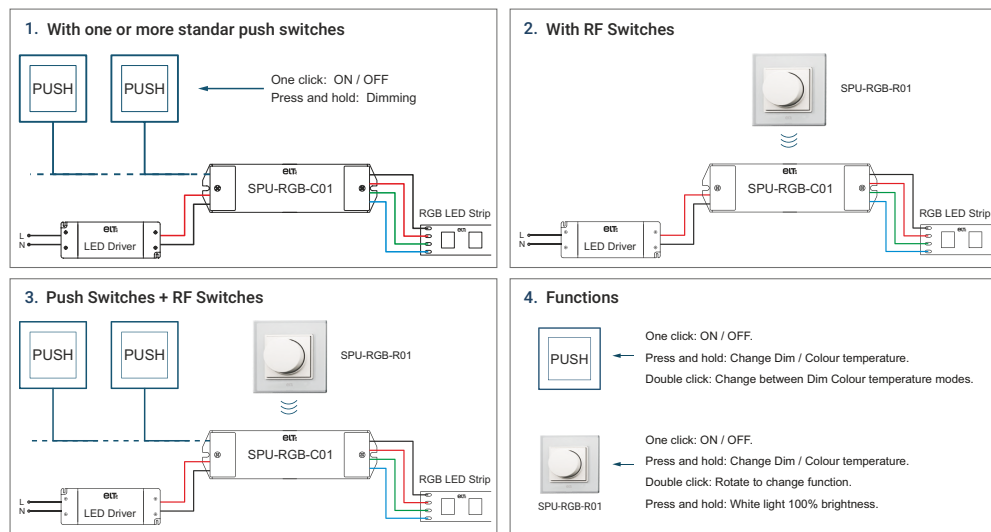
Technical characteristics

Ref.	Input Voltage	Output Current	Output Power	Observations
9955902	12 - 36 VDC	3 x 5 A	3 x (60 - 180) W	Constant voltage

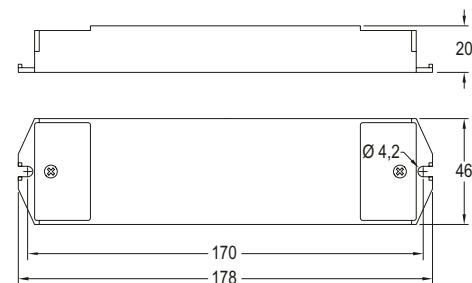
Function overview



Functions and control modes



Dimensions



Operation

Connect the device according to the wiring diagram.

Pair the RF receiver with the RF remote:

1. Connect and wire up the RF receiver correctly. Turn on the remote.
2. Press the **Learning Key** button on the receiver, then immediately click on a zone number to pair the receiver to the selected zone, if the remote is a multi-zone controller (if it is a single-zone remote, omit this step). Next, touch the colour wheel or slider bar on the remote (if the remote does not have these functions, press or touch any key). When the LED light on the receiver flashes twice, the device is successfully paired.

Note: a receiver can be paired with up to 8 remote controls.

Cancel pairing:

1. Connect and wire up the RF receiver correctly. Turn on the remote.
2. Press and hold the **Learning Key** button on the receiver for +/- 3 seconds until the LED light flashes twice. Pairing is successfully cancelled.

PUSH DIM:

With the push switch connected, click the ON/OFF button.

Press and hold down the button to increase/decrease the light intensity to desired level then release it. Repeat the operation to readjust light intensity.

Double click to change between modes: from light intensity to colour temperature adjustment.

Safety warnings

- 1) This product must be installed and serviced by qualified personnel.
- 2) IP20. Protect from sun and rain. For outdoor installations, make sure it is housed inside a waterproof enclosure.
- 3) Always ensure the device is installed in a properly ventilated area to avoid overheating.
- 4) Make sure that the output voltage of any LED power supply used complies with the working voltage of the product.
- 5) Never connect any cables while the power is on. To avoid short circuits, check the connections are correct before switching on.
- 6) Check that cables are securely attached to the terminal blocks.
- 7) Please contact your supplier for updated information.
- 8) DO NOT install with power connected to the device.
- 9) DO NOT expose the device to humidity.