

INSTRUCTION MANUAL PRO-RGB-W-C01 LED Controller



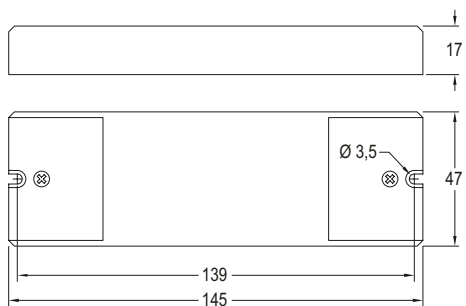
Key features

- PRO-RGB-W-C01 can control RGB (3CH) or RGB + White (4CH) LED Strips from an RF remote control.
- The controller can be synchronised with up to 8 remotes at the same time.
- Radio Frequency : 868 / 915 / 434 MHz

Technical characteristics

Ref.	Input Voltage	Output Current	Output Power	Observations
9955913	12 - 24 VDC	3 x 5 A - RGB 4 x 5 A - RGBW	12V - 60W CH 24V - 120W CH	Constant voltage

Dimensions



Operation

Connect the device according to the wiring diagram.

Pair the RF receiver with the RF remote:

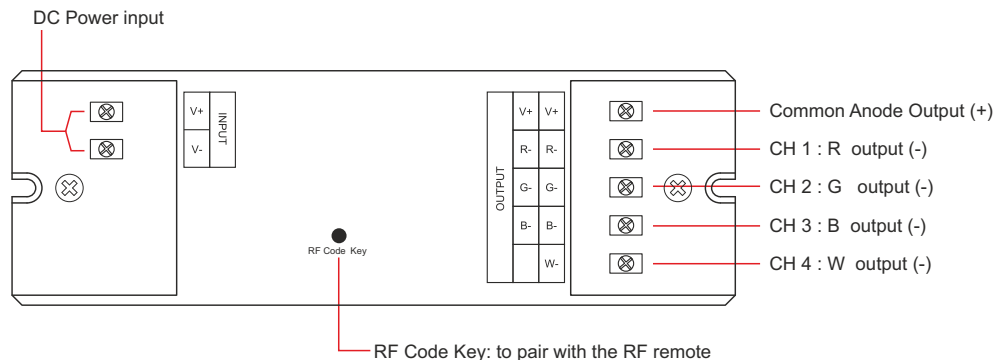
1. Connect and wire up the RF receiver correctly. Turn on the remote.
2. Press the RF Code Key button on the receiver, then immediately click on a zone number to pair the receiver to the selected zone, in the event the remote controls several zones (omit this step if not applicable). Next, touch the colour wheel or slider bar on the remote (if the remote does not have these functions, press or touch any key). When the LED light on the receiver flashes twice, the device is successfully paired.

Note: a receiver can be paired with up to 8 remote controls.

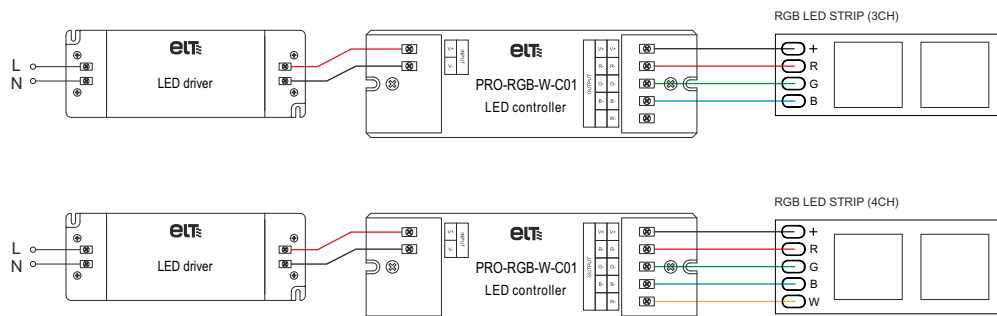
To cancel pairing:

1. Connect and wire up the RF receiver correctly. Turn on the remote.
2. Press and hold the RF Code Key button on the receiver for over 3 seconds until the LED light flashes twice. Pairing is successfully cancelled.

Function overview



Wiring diagram



Safety warnings

- 1) This product must be installed and serviced by qualified personnel.
- 2) IP20. Protect from sun and rain. For outdoor installations, make sure it is housed inside a waterproof enclosure.
- 3) Always ensure the device is installed in a properly ventilated area to avoid overheating.
- 4) Make sure that the output voltage of any LED power supply used complies with the working voltage of the product.
- 5) Never connect any cables while the power is on. To avoid short circuits, check the connections are correct before switching on.
- 6) Check that cables are securely attached to the terminal blocks.
- 7) Please contact your supplier for updated information.
- 8) DO NOT install with power connected to the device.
- 9) DO NOT expose the device to humidity.