

INSTRUCTION MANUAL MULTI-A01



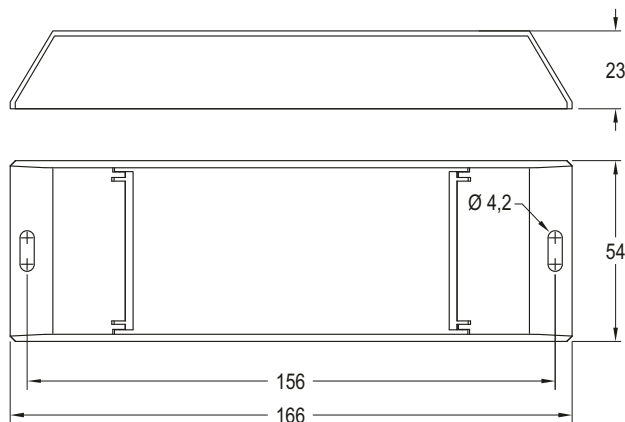
Key features

- Repeats PWM dimming signal
- One / three / four channel options, up to max. 5A per channel
- Constant voltage
- PWM signal control receiver
- Power repeater in series for unlimited output amplification

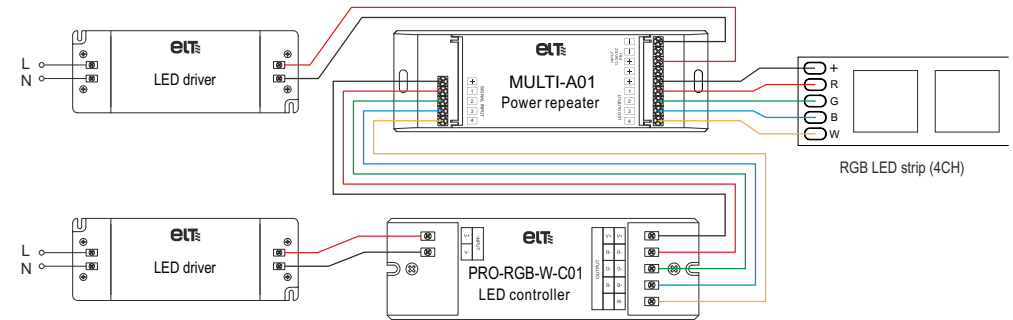
Technical specifications

Ref.	Input Voltage	Output Current	Output Power	Observations
9955951	12 - 24 - 36 VDC	4ch x 5 A	12V - 240W 4x60 24V - 480W 4x120 36V - 720W 4x180	Constant voltage

Dimensions



Wiring diagram



Operation

The LED power repeater supports all of our single colour & RGB controllers to amplify power output.

The PWM controller can connect up to three times more LEDs by adding power repeaters. In theory, an unlimited number of power repeaters can be connected.

Constant voltage power repeaters and constant current power repeaters can be interconnected to control LEDs with different voltages and outputs.

Safety warnings

- 1) This product must be installed and serviced by qualified personnel.
- 2) IP20. Protect from sun and rain. For outdoor installations, make sure it is housed inside a waterproof enclosure.
- 3) Always ensure the device is installed in a properly ventilated area to avoid overheating.
- 4) Make sure that the output voltage of any LED power supply used complies with the working voltage of the product.
- 5) Never connect any cables while the power is on. To avoid short circuits, check the connections are correct before switching on.
- 6) Check that cables are securely attached to the terminal blocks.
- 7) Please contact your supplier for updated information.