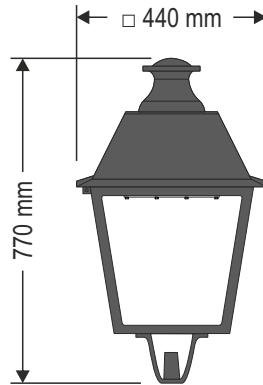




# Instruction manual eLUM VILLA 01

CE RoHS Optical block IP67 IP44 IK 09 10kV STELARIA eSMART

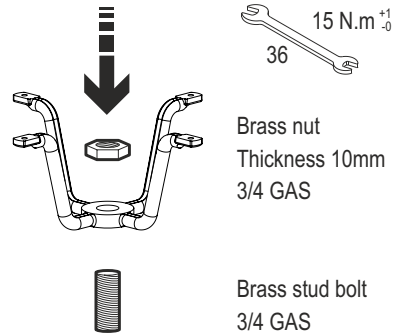
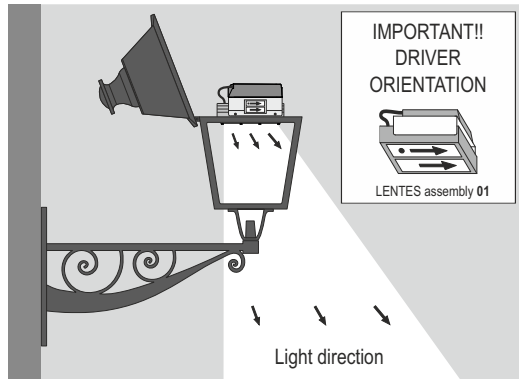
- Please read the instruction manual carefully and retain it for future reference.
- To guarantee the correct and safe installation, use and operation of the product, always follow the recommendations of the manufacturer, in order to achieve proper durability and operation.
- Always disconnect the power switch before manipulating the lighting fixture.
- Installation, maintenance and replacement must be carried out by qualified personnel, strictly following the instructions provided about the product and in line with current regulations.
- The light source and the optical components of this lighting fixture can only be replaced and manipulated by the manufacturer, their technical service team or by an equivalent qualified person.
- Once the installation has been carried out, make sure that the lighting fixture is properly closed to ensure it is watertight.
- Make sure that the power cable inside the lighting fixture and/or post and arm is protected from the weather. If it is damaged, its replacement must be carried out exclusively by the manufacturer, their technical service team or by an equivalent qualified person with the aim of avoiding any risk.
- Avoid direct contact with the surface of the lenses.
- Do not use any chemical substance to clean the LED module incorporated in the luminaire as this may damage the optical components. Only use a microfiber cloth to remove fingerprints or other traces left by its handling.



Weight: 9,6 kg

Max. surface exposed to wind: 0,14 m<sup>2</sup>

Installation height: 3,5 a 5 m.



**1**

**2**

1 x M5 ALLEN 4

**3**

RUBBER CABLE H05RN-F  
3 x 1 mm<sup>2</sup> ( minimum section )

**4**

**5**

1 x M5 ALLEN 4

**6**