

## INSTRUCTION MANUAL DMX-MULTI-C02



### Key features

- Standard DMX512 compliant control interface, with easily configurable DMX address function. Address visible via digital display.
- 3 channel or 4 channel output options.
- Works with a power repeater for unlimited output amplification.

### Technical characteristics

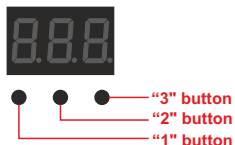
Ref.	Input Voltage	Output Current	Output Power	Observations
9955920	12 - 36 VDC	4 x 5 A	4 x ( 60 - 180 ) W	Constant voltage

### Operation

Turn on the DMX512 controller.

Scroll through the buttons to set the desired DMX512 address:

- Button 1 sets the "hundreds".
- Button 2 sets the "tens".
- Button 3 sets the "ones".



#### Selecting the channel:

Press and hold Buttons 2 and 3 at the same time for around 2 seconds until the 'ch' digital display flashes. Then press Button 1 to choose 1, 2, 3 or 4 channels. 3 = a total of 3 channels ; 4 = a total of 4 channels. Press any button for > 2 seconds to confirm the channel. The factory preset default is a 4 channel output.

#### Setting the DMX address:

Press and hold Button 1 for around 2 seconds until the digital display flashes. Then press any button for > 2 seconds to confirm the setting.

#### Note:

For example, to set the address to 001:

- If 1cH is selected, all four channels will have the same address: 001.
- If 2cH is selected, channels 1 & 3 will have the same address: 001; but channels 2 & 4 will have address 002.
- If 3cH is selected, channels 1,2 & 3 will have addresses 001,002 & 003 respectively. The channel 4 address will be 001.
- If 4cH is selected, channels 1, 2, 3 & 4 will have addresses 001, 002, 003 & 004 respectively.

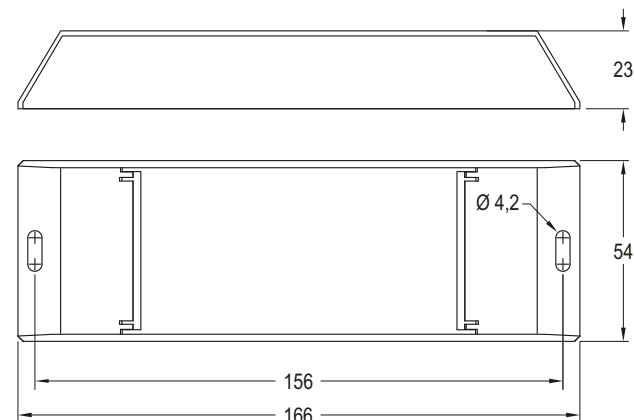


#### Selecting the PWM frequency

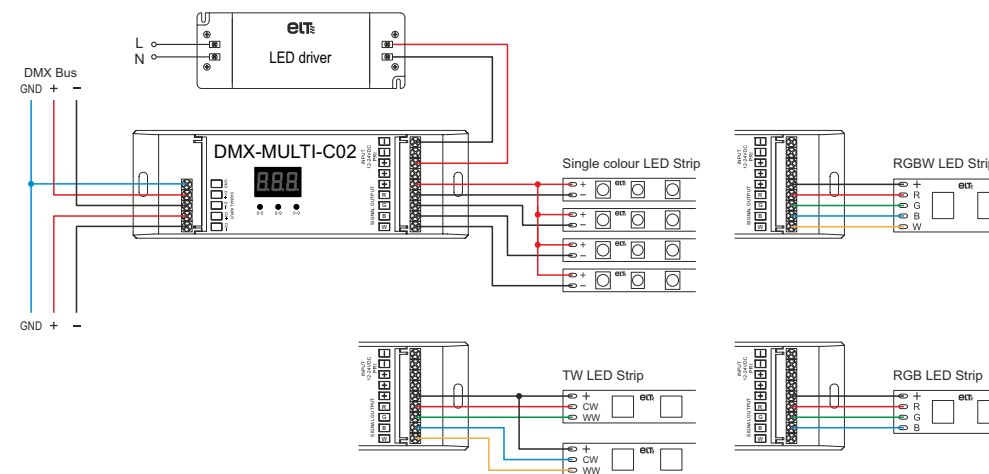
Press and hold Buttons 1 and 3 at the same time for around 2 seconds until the digital display flashes to show **P\_c**.  
**P** = PWM frequency: press Button 1 to display 1 for 1500Hz or 2 for 200Hz.  
**c** = dimming options: press Button 3 to display 1 for logarithmic dimming or 2 for linear dimming.

The factory preset default is a PWM frequency of 200Hz with linear dimming **2\_2**.

### Dimensions



### Wiring diagram



### Safety warnings

- 1) This product must be installed and serviced by qualified personnel.
- 2) IP20. Protect from sun and rain. For outdoor installations, make sure it is housed inside a waterproof enclosure.
- 3) Always ensure the device is installed in a properly ventilated area to avoid overheating.
- 4) Make sure that the output voltage of any LED power supply used complies with the working voltage of the product.
- 5) Never connect any cables while the power is on. To avoid short circuits, check the connections are correct before switching on.
- 6) Check that cables are securely attached to the terminal blocks.
- 7) Please contact your supplier for updated information.
- 8) DO NOT install with power connected to the device.
- 9) DO NOT expose the device to humidity.