

INSTRUCTION MANUAL
DIM-A01



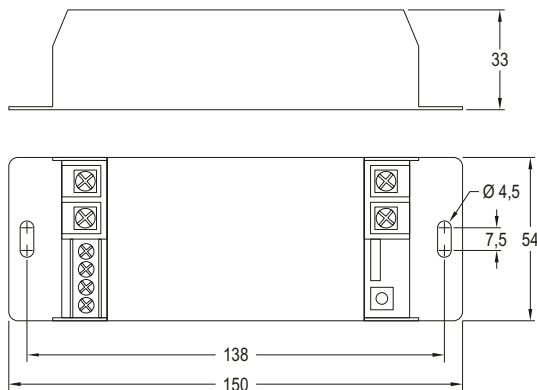
Key features

- Repeats PWM dimming signal
- One channel option
- Constant voltage
- PWM signal control receiver
- Power repeater in series for unlimited output amplification

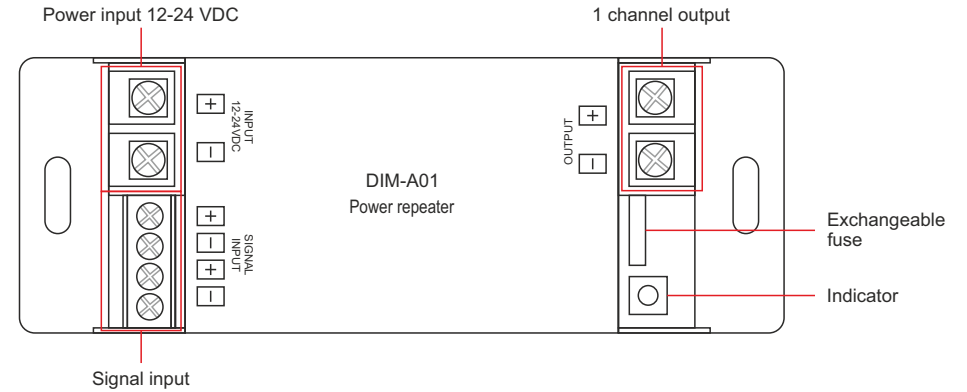
Technical specifications

Ref.	Input Voltage	Output Current	Output Power	Observations
9955950	12 - 24 VDC	1 x 24 A	12V - 288W 24V - 576W	Constant voltage

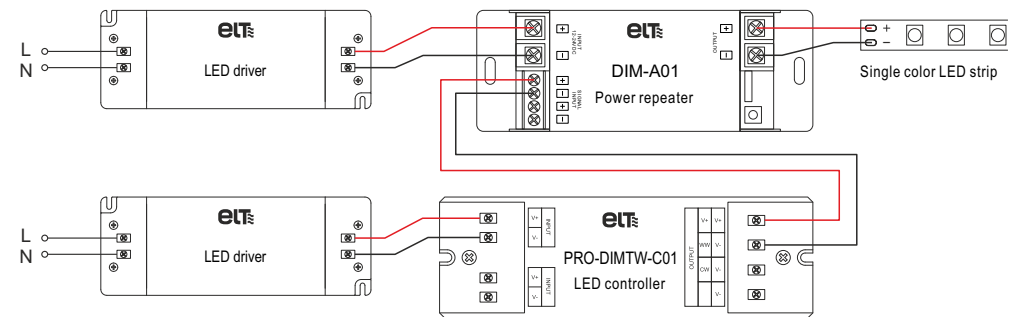
Dimensions



Function overview



Wiring diagram



Safety warnings

- 1) This product must be installed and serviced by qualified personnel.
- 2) IP20. Protect from sun and rain. For outdoor installations, make sure it is housed inside a waterproof enclosure.
- 3) Always ensure the device is installed in a properly ventilated area to avoid overheating.
- 4) Make sure that the output voltage of any LED power supply used complies with the working voltage of the product.
- 5) Never connect any cables while the power is on. To avoid short circuits, check the connections are correct before switching on.
- 6) Check that cables are securely attached to the terminal blocks.
- 7) Please contact your supplier for updated information.