

INSTRUCTION MANUAL DAL-MULTI-C01



Key features

- Control made by DALI DT6.
- Manual / automatic address setting.
- Address digital indicator.
- 4 channels, 4 addresses.
- Works with a power repeater for unlimited output amplification.

Technical characteristics

Ref.	Input Voltage	Output Current	Output Power	Observations
9955917	12 - 36 VDC	4 x 5 A	4 x (60 - 180) W	Constant voltage

Operation



Setting the address manually:

- 1.1. Press and hold down either button until the digital display flashes, then release the button.
- 1.2. Click on either button once to select a digit, click again to change the digit until the required address is displayed. Click on the left button to set the "tens" and the right button to set the "units". Address values range from 00-63.
- 1.3. To confirm the setting, press and hold down either button until the digital display stops flashing.

Note: the address can be assigned by factory default. Where no address is manually assigned for the dimmer, the digital display will indicate FF. By selecting the address as FF, the dimmer will return to the factory default settings.

Setting several addresses:



- 1.1. Press and hold down both buttons until the digital display flashes, then release them.
- 1.2. Click on button 1 to select 1A / 2A / 3A / 4A (which means 1 address, 2 addresses, 3 addresses or 4 addresses).



- 1.3. To confirm the setting, press and hold down either button until the digital display stops flashing.

For example, to set the address to 22:

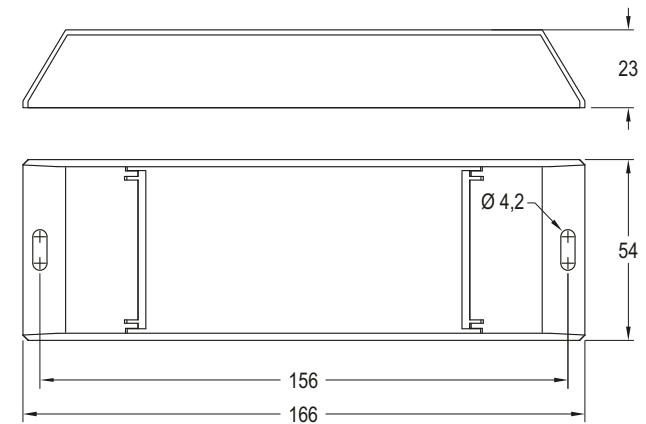
- If 1A is selected, all four channels will have the same address: 22.
- If 2A is selected, channels 1 & 3 will have the same address: 22; but channels 2 & 4 will have address 23.
- If 3A is selected, channels 1, 2 & 3 will have addresses 22, 23 & 24 respectively. The channel 4 address will also be 24.
- If 4A is selected, channels 1, 2, 3 & 4 will have addresses 22, 23, 24 & 25 respectively.

Address assigned by the DALI Master:

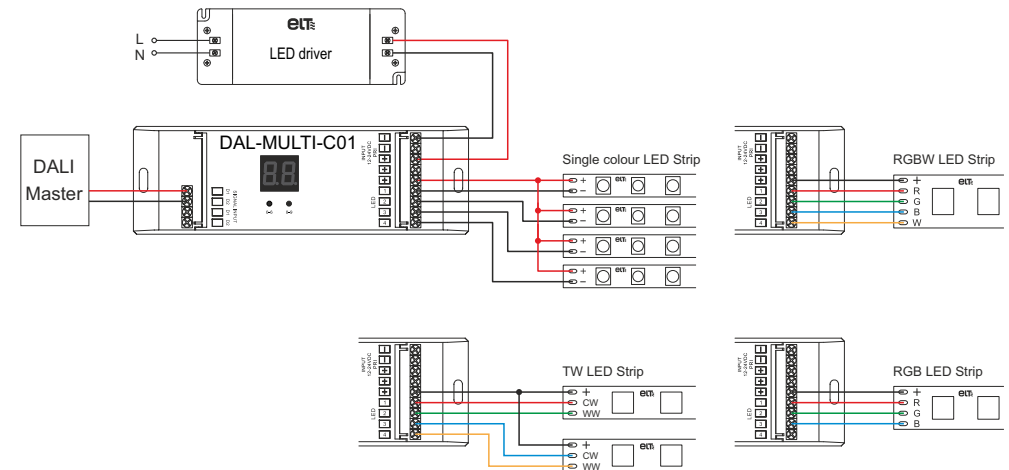
An address can also be automatically assigned by the DALI Master controller. Please refer to the corresponding user manual of compatible DALI Masters for more information.

Note: When the DALI Master is assigning addresses, AU will appear in the digital display.

Dimensions



Wiring diagram



Safety warnings

- 1) This product must be installed and serviced by qualified personnel.
- 2) IP20. Protect from sun and rain. For outdoor installations, make sure it is housed inside a waterproof enclosure.
- 3) Always ensure the device is installed in a properly ventilated area to avoid overheating.
- 4) Make sure that the output voltage of any LED power supply used complies with the working voltage of the product.
- 5) Never connect any cables while the power is on. To avoid short circuits, check the connections are correct before switching on.
- 6) Check that cables are securely attached to the terminal blocks.
- 7) Please contact your supplier for updated information.
- 8) DO NOT install with power connected to the device.
- 9) DO NOT expose the device to humidity.